



VEHICLE CERTIFICATION AGENCY

1 The Eastgate Office Centre  
Eastgate Road  
Bristol BS5 6XX  
United Kingdom

☎ Switchboard 0117 951 6161

☎ Direct Line 0117 952 4

Fax: 0117 952 4103

THE UNITED KINGDOM VEHICLE APPROVAL AUTHORITY

Rev 5/91




COMMUNICATION CONCERNING THE APPROVAL GRANTED OF A TYPE OF  
DEVICE PURSUANT TO REGULATION NO 50  
*(Motorcycle Lamps and Illuminating Devices)*

Approval No: 000101

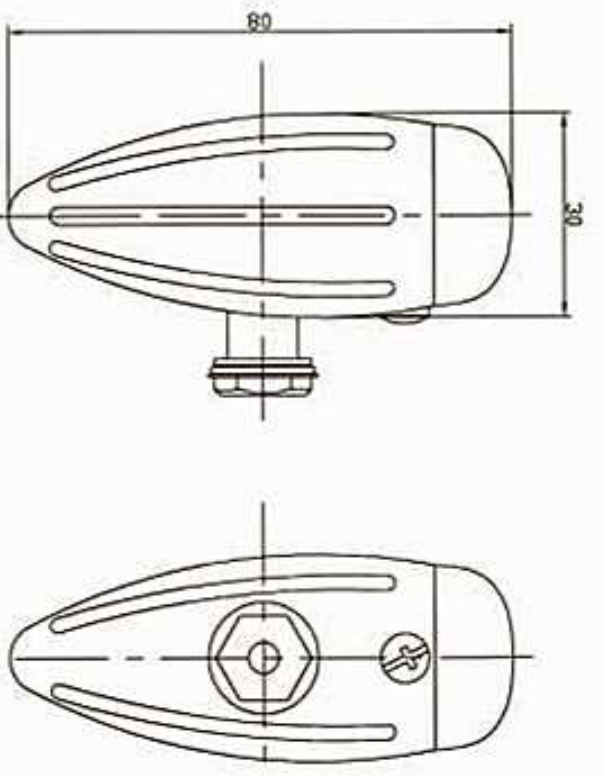
1. Device  
Direction indicator of category 11 and 12
2. Category or categories and number of filament lamps: H21W x 1
3. Colour of light emitted (of a front direction indicator): Amber
4. Trade name or description of the mark: ST-8099
5. Manufacturer's name: [REDACTED]
6. Address:  
[REDACTED]
7. Name of his representative (if applicable) Not applicable
8. Address: Not applicable



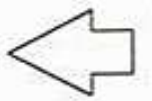
9. Submitted for approval on: 7 April 2000
10. Technical service responsible for conducting approval tests: Vehicle Certification Agency
11. Date of report issued by that service: 27 July 2000
12. Number of report issued by that service: EAA001466
13. Approval GRANTED
14. Place: BRISTOL
- 
15. Date: 29 AUGUST 2000
16. Signature:  p.p. P F NICHOLL
17. The attached drawing No: bearing the approval number, shows in what position, geometrically, the device is to be mounted on the vehicle; furthermore, the axis of reference, the centre of the reference of the device and the position of the outlines of the illuminating surface are indicated.



EAA001466



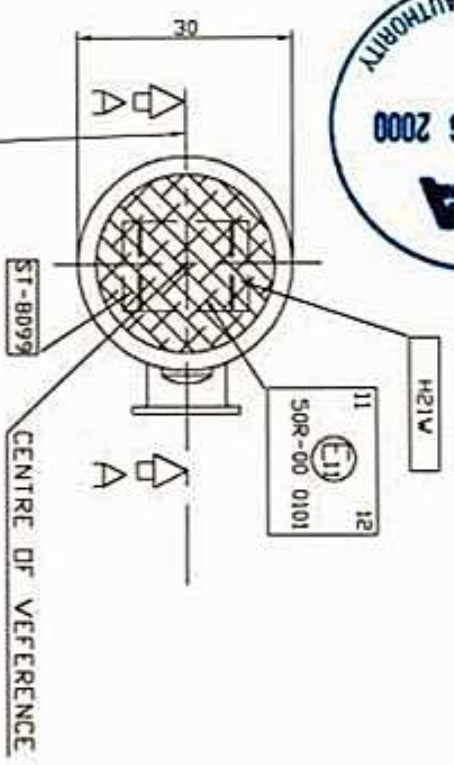
LONGITUDINAL PLANE OF VEHICLE  
( REFERENCE AXIS )



REAR OF VEHICLE

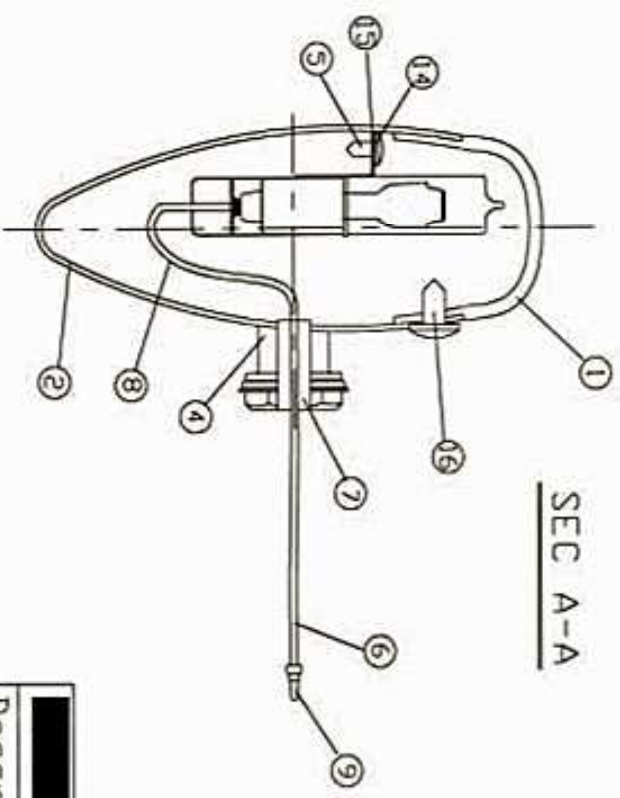
NOTE:  
THE DEVICE IS APPLIED TO FRONT  
AND REAR DIRECTION INDICATOR.

NO	Description	PCS	Material	Remark
1	Lens	1	PMMA	Amber
2	Housing	1	EPDM	
3	Bulb	1		H21W
4	Screw Cap	1	SWRM3	
5	Screw	2	SWRM3	
6	Lead	1	PVC+Cu	
7	Holder Lock	1	SWRM3	
8	Lead	1	PVC+Cu	
9	Terminal	3	Cu	
10	Washer Plate	1	ABS	
11	Plate	1	SPCC	
12	Spring	1	SW	
13	Bulb Socket	1	SPCC	
14	Screw Cap	2	SWRM3	
15	Washer	1	Cu	
16	Screw	2	SWRM3	

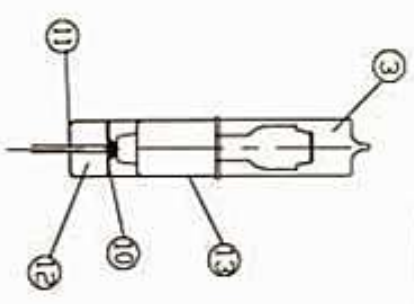


HORIZONTAL PLANE OF VEHICLE

CENTRE OF VEFERENCE



SEC A-A



C VIEW

Description	
Drawing No. YJST-8099-1	